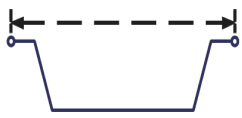
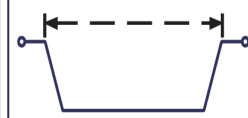

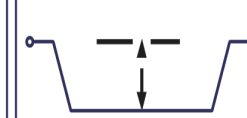
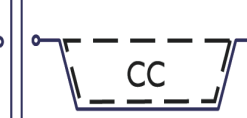


Specification Sheet – Product Code 3234



				
top out (mm)	top in (mm)	base (mm)	height (mm)	capacity (cc)
189x126	179x115	169x108	25	470

Specifications	
Type	Rectangular Tray
Flange Style	Rolled Edge
Base Style	Plain
Material	Plain Aluminium Foil Container Strip – H24
Gauge (micron)	55
Metal Weight/1000 (kgs)	6.10 (+/- 8% tolerance)
Quantity Per Case	1,000
Quantity per Layer / Pallet	6 Cases 24 Cases
Carton weight gross(kgs)	6.6
Outer carton dimensions(mm)	485 X 387 X 450